

**Electrical Spec**

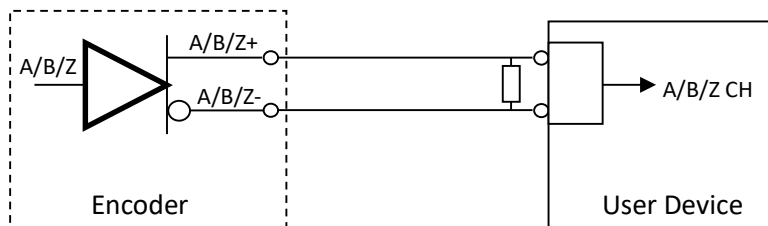
1 Resolution	8192CPR
2 Output	ABZ
3 Rated Voltage	5.0VDC $\pm$ 0.25V
4 Current Consumption	< 60mA
5 Output Form	Differential, RS422
6 Maximum Speed	12500 RPM

**Mechanical Spec**

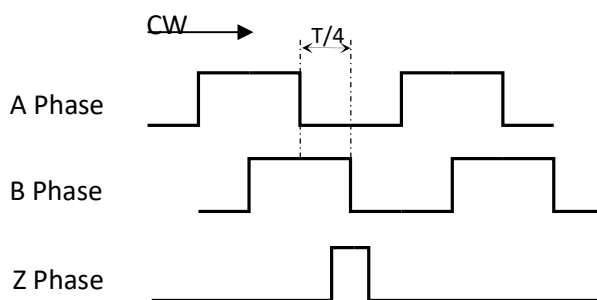
7 Mass	6.2g
8 Storage Temp	-40°C --- +85°C
9 Operating Temp	-40°C --- +85°C

**RECEIVING AND TRANSMITTING INTERFACE**

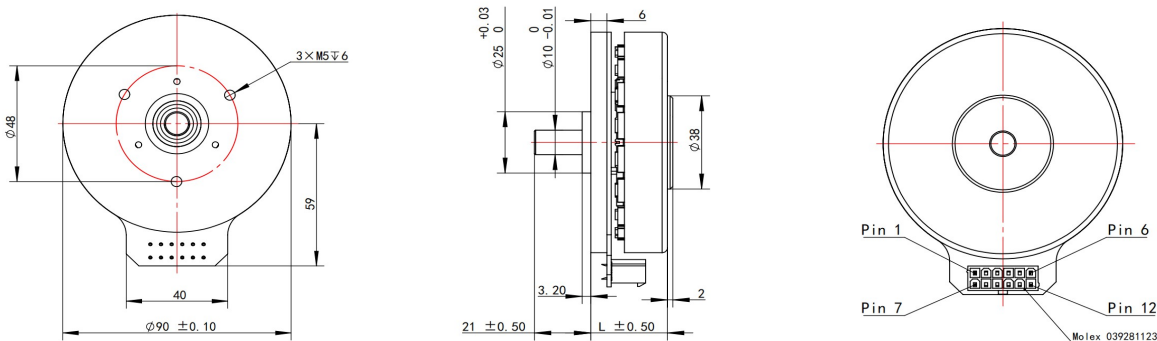
Differential signal(RS-422):



ABZ output phase shift



**Dimensional drawing**



**Option, cable and connection information**

Connector Molex 039281123

Z+	Pin 1	+5VDC	Pin 7
B+	Pin 2	Z-	Pin 8
A+	Pin 3	B-	Pin 9
GND	Pin 4	A-	Pin 10
Motor winding 2	Pin 5	GND	Pin 11
Motor winding 3	Pin 6	Motor winding 1	Pin 12

Note:About the torque curves,please contact us for more information.

www.mktl.cn